



Thermal Inkjet

Wolke m610[®] advanced

The Wolke m610 advanced offers superior print quality with clean, no-mess operation and solid-state electronics requiring no controller maintenance.

The Wolke m610 advanced thermal inkjet printer is ideal for demanding industrial applications, suitable for both stand-alone operation and fully-integrated into production line equipment.

The Wolke m610 advanced is designed for customers with complex coding requirements including remote printer control, high speed serialisation and DataMatrix marking. Used extensively in pharmaceutical and tobacco applications, the m610 advanced now offers features that help customers meet their productivity, quality and efficiency targets.



Uptime Advantage

- No wear items or replacement parts outside of inkjet cartridge replacement
- Simple cartridge changes can occur in less than one minute, with no specialised training

Built-in Productivity

- Print 600 x 600 dpi high resolution codes up to 2 inches (50.8 mm) in height that are suitable for machine vision inspection
- Replenish ink without stopping the line with Perpetuo Print Mode™*
- No ink configuration required; start printing as soon as the cartridge is inserted*

Code Assurance

- Simple code selection and customer selectable rules prevent human error; all common accessed in five or fewer touches
- Integrate printer via webserver functionality for remote control from third party HMI displays

Simple usability

- 9.0-inch LCD display with full, sealed, keyboard for intuitive operation
- Clean operation with genuine HP® cartridges, virtually eliminating spills and mess
- Advanced communication protocol for remote operation and high speed serialisation

**Feature available when using authentic Videojet TIJ ink cartridges*

Wolke m610[®] advanced

Thermal Inkjet Printing

Line Speed / Resolution Capability

250fpm (75mpm) at 600x240 dpi
Maximum resolution of 600x600 dpi

Line speed dependent on selected print resolution

Print Cartridge

Maximum of four 12.7mm tall, 600dpi print cartridges (stacked/stitched or deployed independently)

Features available with authentic Videojet TJJ ink cartridges: auto cartridge recognition and parameter set up, ink batch/lot number tracking, portable ink level tracking and enhanced print speeds

Linear Bar Codes

EAN8, EAN13, UPC-A, CODE128, EAN128, 2/5i, Codabar, CODE39

DataMatrix Codes

DataMatrix (20 matrix sizes available), EAN-DataMatrix, QR Code

Keyboard

Membrane style with tactile feedback, including 81 numeric, alphabetic, and special function keys. PC-style layout to approximate international PC convention.

Display

800x480 pixel LCD backlit 9.0" TFT-LCD display
Near WYSIWYG onscreen message editing

Language Options

English, Czech, Danish, Dutch, Finnish, French, German, Hungarian, Italian, Norwegian, Polish, Portuguese, Slovenian, Spanish, Swedish, Turkish

Data Interface

TCP/IP, Ethernet, USB host

Controller Dimensions

13.4" (341mm) long
10.1" (256mm) wide
4.6" (116mm) high

Dimensions exclude printhead, accessory cables and power supply connections

Printhead Dimensions

Four printhead options are available with different dimensions to meet line integration requirements

The following dimensions are for the Standard Blue printhead:

4.5" (115mm) long
4.3" (110mm) high
2.4" (60mm) wide (at rub plate)

Dimensions exclude cartridge and cable connections

Red, Green, and Gold printhead dimensions vary in length and height from Blue printhead

Environmental Protection

IP65 (controller)

Temperature/Humidity Range

41°F to 113°F (5°C to 45°C)

Non-condensing humidity

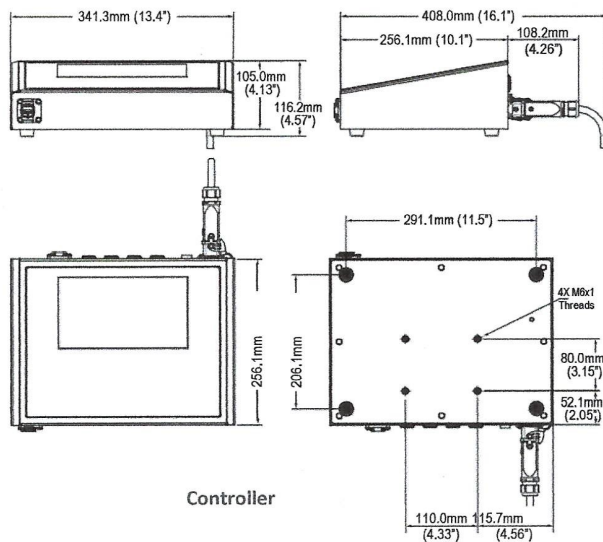
Electrical Requirements

Nominal supply power 115 or 230/240 VAC at 50/60 Hz

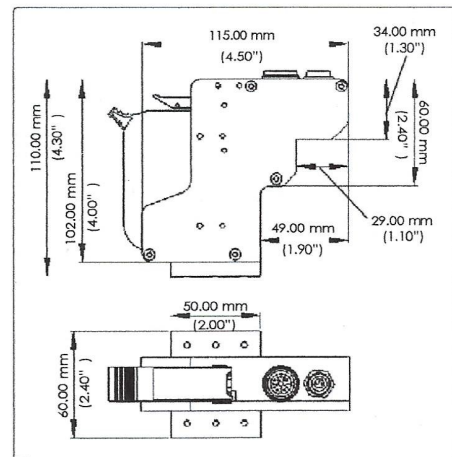
Approximate Weight (Controller)

12.0lbs (5.4kgs)

Dimensions



Controller



Standard Blue Printhead

Call on
Email
or visit

+44 1942 677 664

info@sunala.com

www.sunala.com

Sunala Limited

17 Meadowcroft Way, Leigh Business Park
Leigh, WN7 3XZ. United Kingdom

Approved UK Distributor

© 2018 Videojet Technologies Inc. — All rights reserved.

Videojet Technologies Inc.'s policy is one of continued product improvement. We reserve the right to alter design and/or specifications without notice. HP is a registered trademark of Hewlett-Packard Development Company, L.P.

Part No. SL000656
ss-m610-advanced-en-0218

